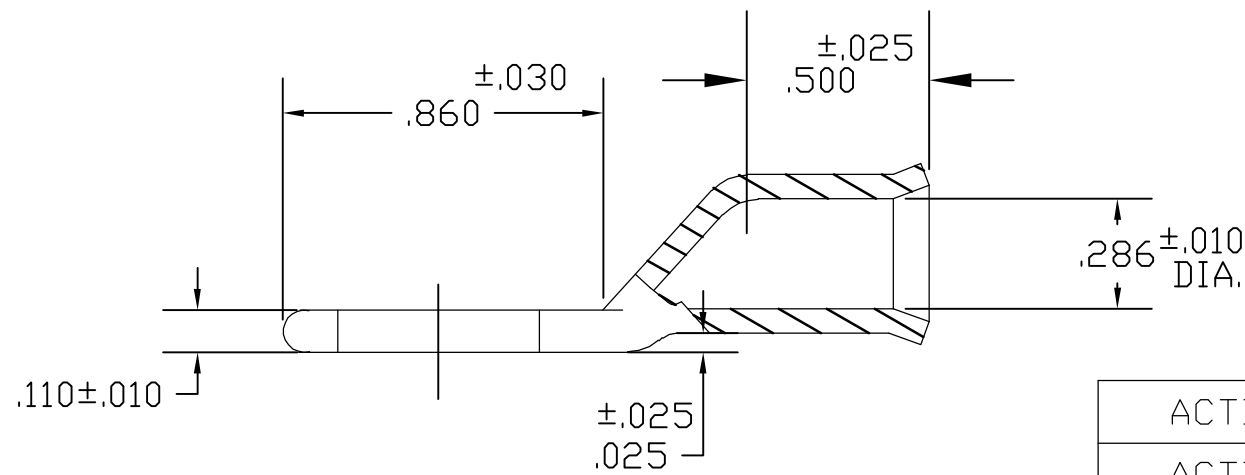
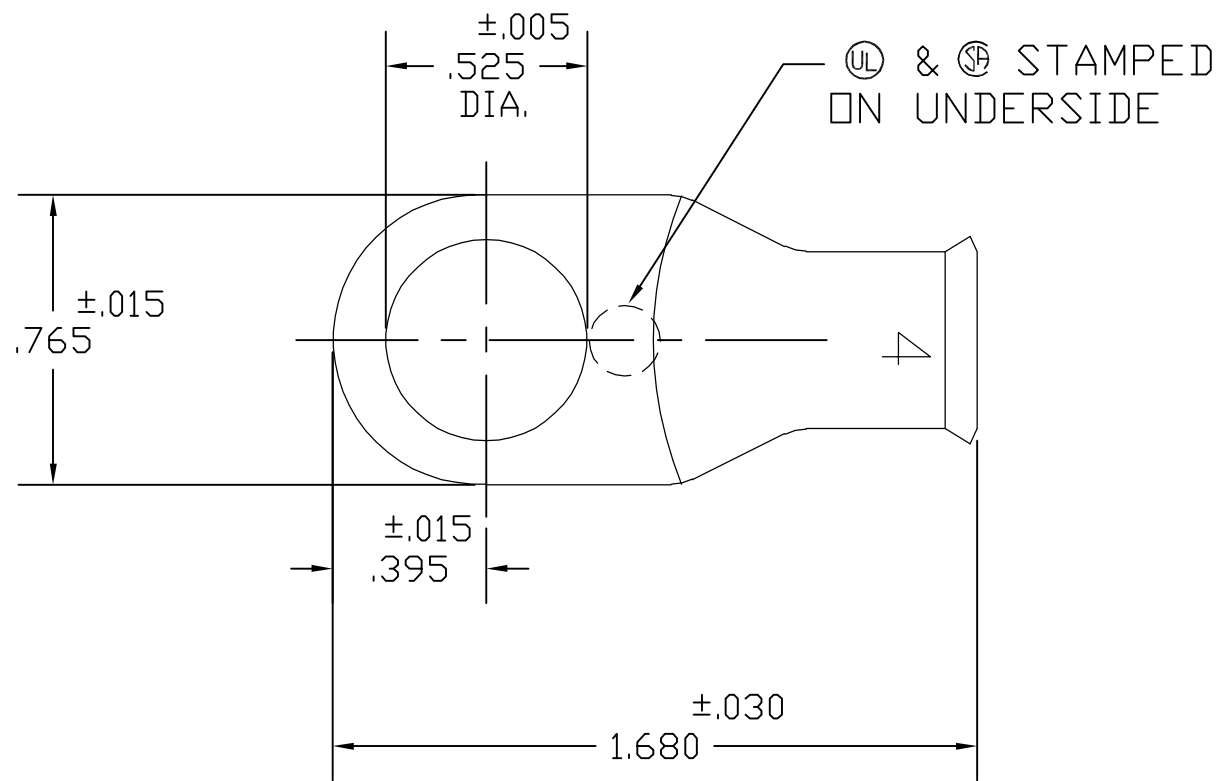


THIS DRAWING IS UNPUBLISHED. RELEASED FOR PUBLICATION
 © COPYRIGHT BY TYCO ELECTRONICS CORPORATION. ALL RIGHTS RESERVED.

LOC	DIST	REVISIONS					
		P	LTR	DESCRIPTION	DATE	DWN	APVD
G	50		B2	REVISED PER ECR-06-009961	28APR06	HMR	JR



ACTIVE	4503-00-D	SMALL PACK	PLAIN	8-1526282-1
ACTIVE	4503-01	STANDARD	TIN PLATE	1526282-2
ACTIVE	4503-00	STANDARD	PLAIN	1526282-1
STATUS	AET P/N	PACKAGING	FINISH	PART NUMBER

THIS DRAWING IS A CONTROLLED DOCUMENT.		DWN D.A.A	10/25/00	Tyco Electronics Corporation Harrisburg, PA 17105-3608			
DIMENSIONS: INCHES		CHK H.D.F	10/25/00			NAME	
		APVD H.D.F	10/25/00			4 STANDARD TERMINAL	
TOLERANCES UNLESS OTHERWISE SPECIFIED:		PRODUCT SPEC		SIZE			
0 PLC	± -	-		CAGE CODE	DRAWING NO		
1 PLC	± -	APPLICATION SPEC		RESTRICTED TO			
2 PLC	± -	-		-			
3 PLC	± -	-		-			
4 PLC	± -	-		-			
ANGLES	± -	-		-			
MATERIAL		WEIGHT		-			
COPPER ASTM B-152		-		-			
FINISH		-		-			
-		-		-			
CUSTOMER DRAWING				SCALE	2:1		
				SHEET	1 OF 1		
				REV	B2		